

Approvals



16A-300V
20A-250V

Electrical

Rated voltage 250V
Rated current 20A
Contact resistance 20mΩ
Insulation resistance 500MΩ/DC500V
Withstanding voltage AC2000V/1min
Wire range 22-12 AWG 2,5mm²

Torque 0,4Nm (3.6Lb in)
Temp. Range -40°C +105°C
Stripping length 6 mm
Max sold. time +250°C for 5 sec.

Dimensions

Pitch 5 mm
Poles 2÷24

Material

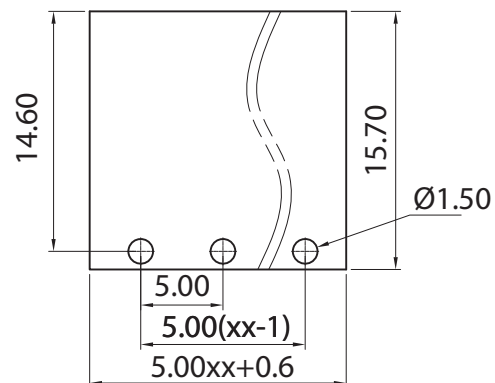
Housing PA66 UL94V0
Pin Copper Alloy, Sn plated
Cage Copper Alloy, Ni plated
Screws M2,5 steel, Zn plated
Side Block
Nut screw
Clamp

General description of ordering code

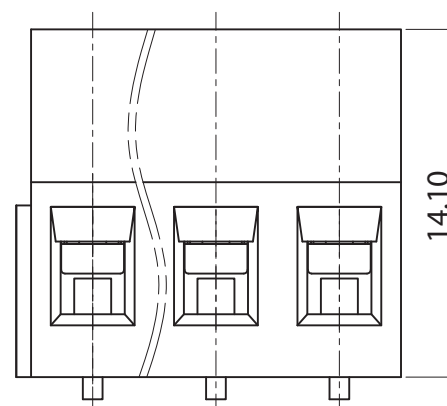
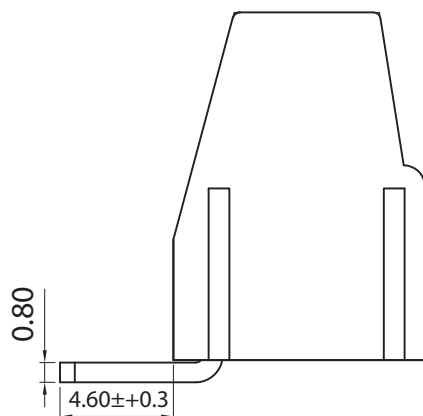
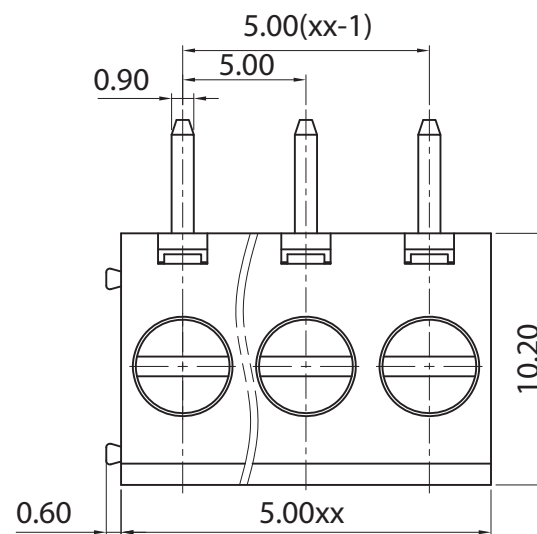
Series	n. Poles	Pitch	Version	Color	Custom
MRS52	2÷24	-5	-H		

Version Date

2020/01 07/04/2020



p.c.b. layout



euro-block



linear dimension (Tolerances Standard GB/T 14486-2008)

variable range	to 6	over 6 to 10	over 10 to 30	over 30 to 60	over 60 to 100	over 100 to 160	over 160 to	to 10	over 10 to 100	over 100 to
tolerance	±0.20	±0.30	±0.50	±0.70	±1.00	±1.30	±1.60	0.10	0.30	0.60

UNITS: mm

SCALE: 10:1

SHEET SIZE: ISO A4



First angle projection

MRS52-5-H