

**Approvals**



15A - 300V  
not approved

**Electrical**

Rated voltage 300V  
 Rated current 15A  
 Contact resistance 20mΩ  
 Insulation resistance 500MΩ/DC500V  
 Withstanding voltage AC2000V/1min  
 Wire range 28-14 AWG 2,5mm<sup>2</sup>

Torque 1,2Nm (10.6Lb in)  
 Temp. Range -40°C +105°C  
 Stripping length 5 mm  
 Max sold. time +250°C for 5 sec

**Dimensions**

Pitch 5 mm  
 Poles 2÷24

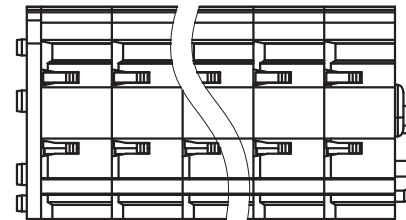
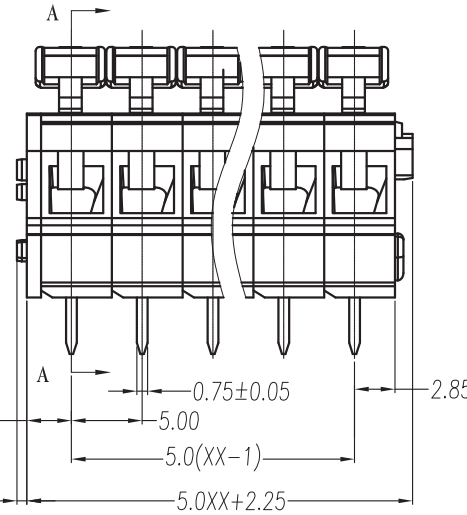
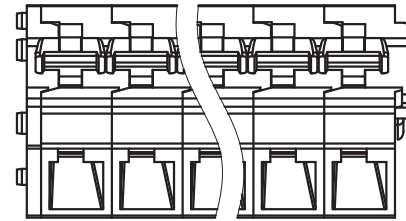
**Material**

Housing PA66 UL94V0  
 Pin Copper Alloy,Sn plated  
 Cage  
 Screws  
 Side Block  
 Nut screw  
 Clamp Stainless Steel

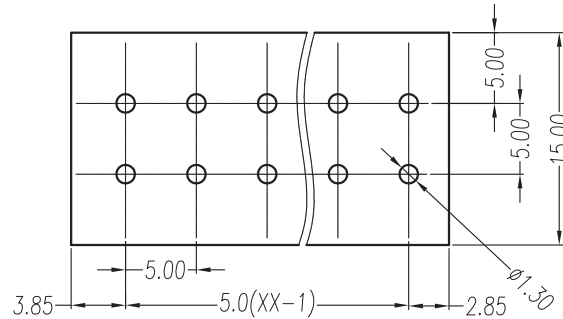
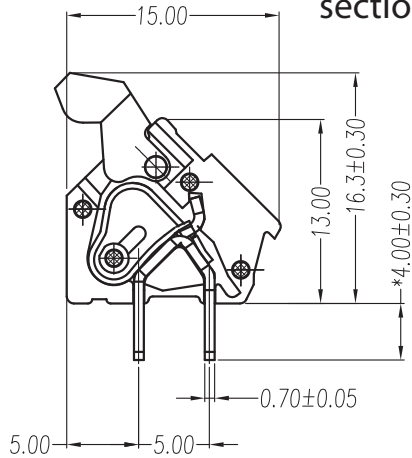
**General description of ordering code**

Series	n. Poles	Pitch	Version	Color	Custom
MRM5	0÷24	-5	-P		

Version	Date
19/01	27/11/19



section: A-A



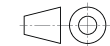
p.c.b. layout



**euro-block**



linear dimension (Tolerances Standard GB/T 14486-2008)									UNITS: mm			
variable range	to 6	over 6 to 10	over 10 to 30	over 30 to 60	over 60 to 100	over 100 to 160	over 160 to	to 10	over 10 to 100	over 100 to	SCALE: 10:1	
tolerance	±0.20	±0.30	±0.50	±0.70	±1.00	±1.30	±1.60	0.10	0.30	0.60	SHEET SIZE: ISO A4	



First angle projection

**MRM5-5-P**