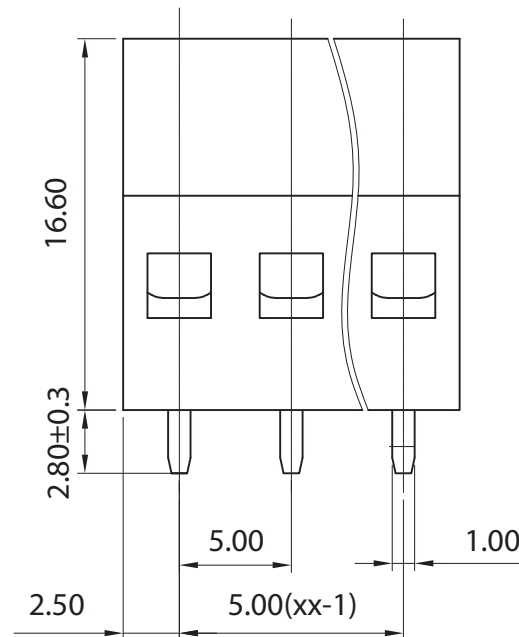
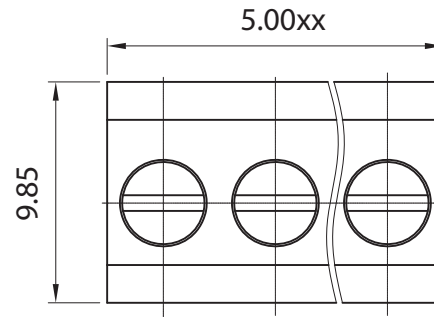
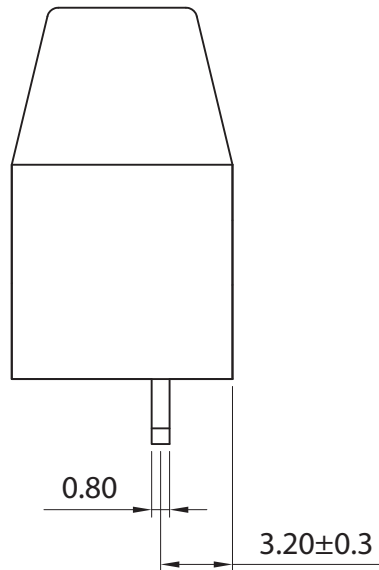


p.c.b. layout



Approvals



10A - 300V



not approved

Electrical

Rated voltage	250V
Rated current	24A
Contact resistance	20mΩ
Insulation resistance	500MΩ/DC500V
Impulse voltage	2KV
Wire range	2,5mm2 22÷14 AWG

Torque	0,5Nm (4.5Lb In)
Temp. Range	-40°C + 105°C
Stripping length	5 mm
Max sold. time	+250°C for 5 sec.

Dimensions

Pitch	5 mm
Poles	2÷24

Material

Housing	PA66 UL94V0
Pin	Copper Alloy, Sn plated
Cage	Copper Alloy, Ni plated
Screws	M3;Steel Zn plated
Side Block	---
Nut screw	---
Clamp	---

General description of ordering code

Series	n. Poles	Pitch	Version	Color	Custom
MRK52	2÷24	-5	-V		

Version Date

2020/01	06/04/2020
---------	------------



euro-block



UNITS: mm

SHEET SIZE: ISO A4

SCALE: 4:1

> 0 ~ 3

> 3 ~ 18

> 18 ~ 50

> 50 ~ 120

± 0.12

± 0.15

± 0.3

± 0.5



First angle projection

MRK52-5-V