

Approvals



8A-300V  
not approved

Electrical

Rated voltage 250V  
 Rated current 18A  
 Contact resistance 20mΩ  
 Insulation resistance 500MΩ/DC500V  
 Withstanding voltage AC2000V/1 min  
 Wire range 2,5mm<sup>2</sup> 24÷12 AWG  
 Torque 0,4Nm(3.6Lb In)  
 Temp. Range -40°C + 105°C  
 Stripping length 6 mm  
 Max sold. time +250°C for 5 sec.

Dimensions

Pitch 5 mm  
 Poles 2÷24

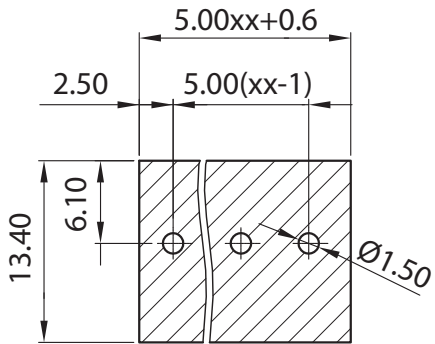
Material

Housing PA66 UL94V0  
 Pin Copper Alloy, Sn plated  
 Cage Copper Alloy, Ni plated  
 Screws M2,5; Steel Zn plated  
 Side Block ---  
 Nut screw ---  
 Clamp ---

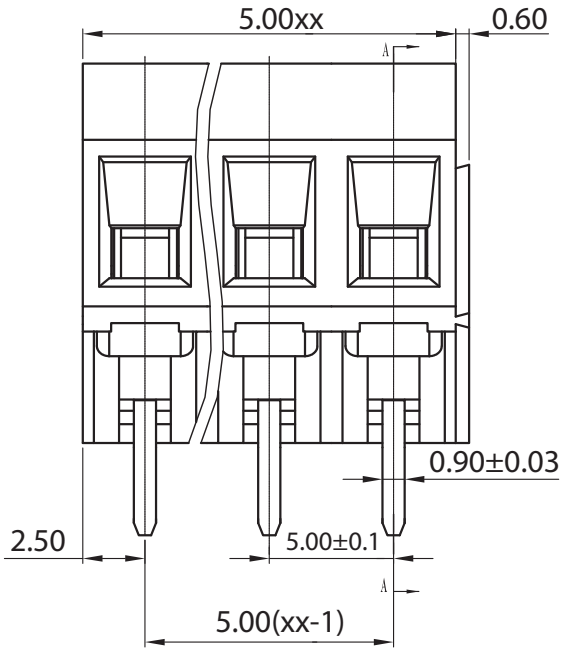
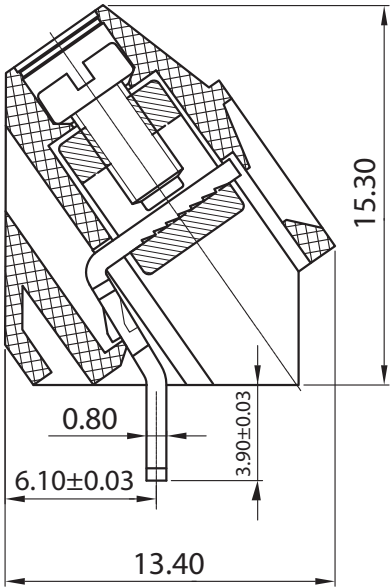
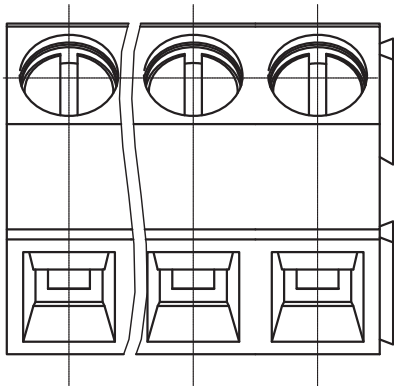
General description of ordering code

Series	n. Poles	Pitch	Version	Color	Custom
MR152	2÷24	-5	-A3		

Version 01/21 Date 01/10/2021



p.c.b. layout



euro-block



UNITS: mm

SHEET SIZE: ISO A4

SCALE: 3:1

> 0 ~ 3

> 3 ~ 18

> 18 ~ 50

> 50 ~ 120

± 0.12

± 0.15

± 0.3

± 0.5



First angle projection

MR152-5-A3