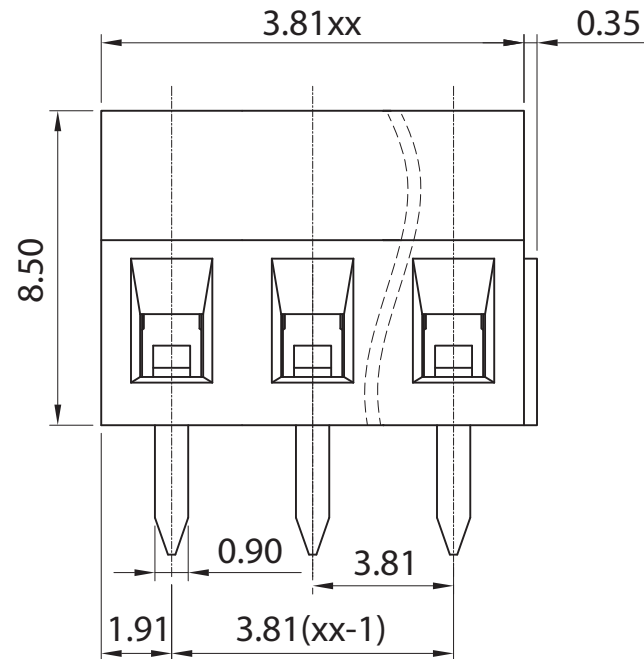
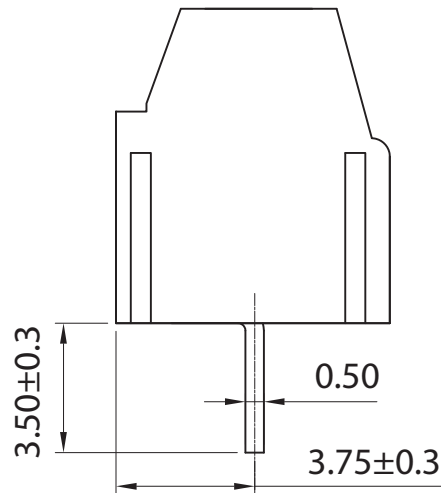


p.c.b. layout



Approvals



15A-300V

13,5A-160V

Electrical

Rated voltage	250V
Rated current	15A
Contact resistance	20mΩ
Insulation resistance	500MΩ/DC500V
Withstanding voltage	AC 2000V/1 min
Wire range	28÷16 AWG 1 mm ²
Torque	0,2Nm(1.8Lb in)
Temp. Range	-40°C+105°C
Stripping length	6mm
Max sold. time	+250°C for 5 sec.

Dimensions

Pitch	3,81 mm
Poles	2÷24

Material

Housing	PA66 UL94V0
Pin	Copper Alloy, tin plated
Cage	Copper Alloy, NI plated
Screws	M2, Steel Zn plated
Side Block	
Nut screw	
Clamp	

General description of ordering code

Series	n. Poles	Pitch	Version	Color	Custom
MRB31	2÷24	-3.81	-V		

Version Date

2020/01 30/04/2020



euro-block



UNITS: mm

SHEET SIZE: ISO A4

SCALE: 10:1

> 0 ~ 3

> 3 ~ 18

> 18 ~ 50

> 50 ~ 120

± 0.12

± 0.15

± 0.3

± 0.5



First angle projection

MRB31-3.81-V