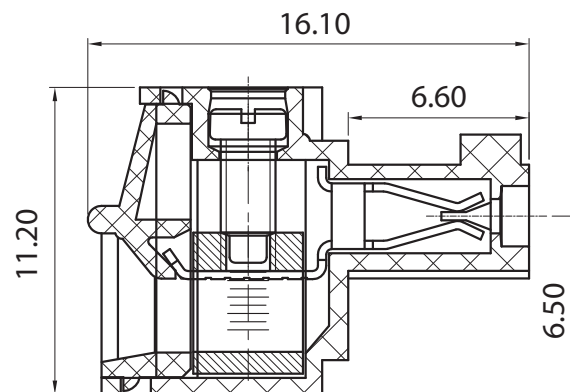
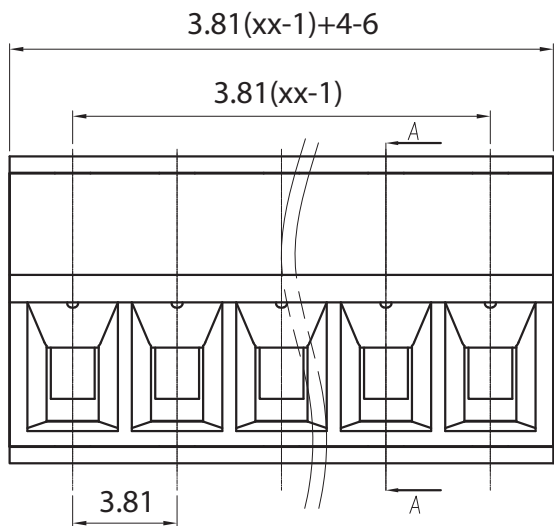


from 2÷5 version from 6÷24 version



SECTION: A-A

**Approvals**



8A-300V  
7A-250V

**Electrical**

Rated voltage 250V  
Rated current 7A  
Contact resistance 20mΩ  
Insulation resistance 500MΩ/DC500V  
Withstanding voltage AC2000V/1min  
Wire range 28-16 AWG 1mm<sup>2</sup>  
  
Torque 0,2Nm (1.8Lb in)  
Temp. Range -40°C +105°C  
Stripping length 7 mm  
Max sold. time

**Dimensions**

Pitch 3,81 mm  
Poles 2÷24

**Material**

Housing PA66 UL94V0  
Pin  
Cage Copper Alloy, Ni plated  
Screws M2 steel, Zn plated  
Side Block  
Nut screw  
Clamp Phosphore bronze, Ni plated

**General description of ordering code**

Series	n. Poles	Pitch	Version	Color	Custom
CRF	02÷24	-3.81			

**Version Date**

21/01 -13/05/2021



**euro-block**



linear dimension (Tolerances Standard GB/T 14486-2008)										UNITS: mm			
variable range	to 6	over 6 to 10	over 10 to 30	over 30 to 60	over 60 to 100	over 100 to 160	over 160 to	to 10	over 10 to 100	over 100 to	SCALE: 10:1		
tolerance	±0.20	±0.30	±0.50	±0.70	±1.00	±1.30	±1.60	0.10	0.30	0.60	SHEET SIZE: ISO A4		



First angle projection

**CRF-3.81**