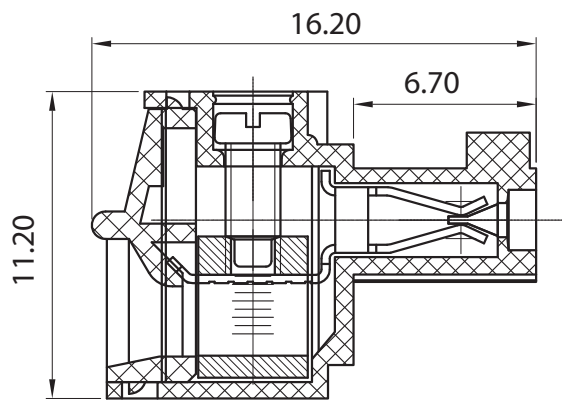
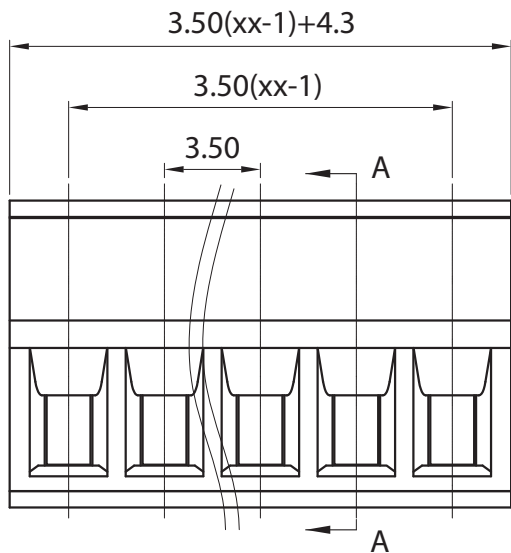


from 2÷5 version from 6÷24 version



section: A-A

Approvals



8A-300V
7A-250V

Electrical

Rated voltage 250V
 Rated current 7A
 Contact resistance 20mΩ
 Insulation resistance 500MΩ/DC500V
 Withstanding voltage AC1600V/1min
 Wire range 28-16 AWG 1mm2

 Torque 0,2Nm (1.8Lb in)
 Temp. Range -40°C +105°C
 Stripping length 7 mm
 Max sold. time

Dimensions

Pitch 3,5 mm
 Poles 2÷24

Material

Housing PA66 UL94V0
 Pin
 Cage Copper Alloy, Ni plated
 Screws M2 steel, Zn plated
 Side Block
 Nut screw
 Clamp Phosphore bronze, Ni plated

General description of ordering code

Series	n. Poles	Pitch	Version	Color	Custom
CRF	02÷24	-3.5			

Version Date

21/01 08/06/2021



euro-block



linear dimension (Tolerances Standard GB/T 14486-2008)										UNITS: mm			
variable range	to 6	over 6 to 10	over 10 to 30	over 30 to 60	over 60 to 100	over 100 to 160	over 160 to	to 10	over 10 to 100	over 100 to	SCALE: 10:1		
tolerance	±0.20	±0.30	±0.50	±0.70	±1.00	±1.30	±1.60	0.10	0.30	0.60	SHEET SIZE: ISO A4		



First angle projection

CRF-3.5