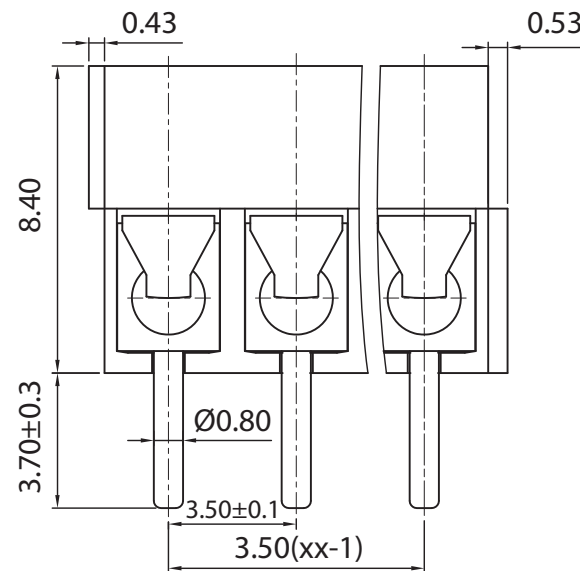
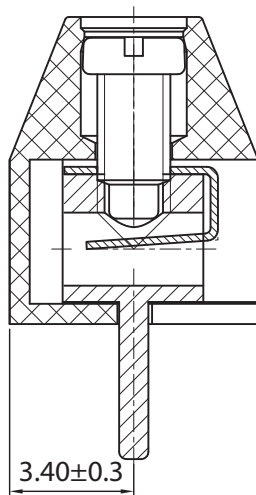
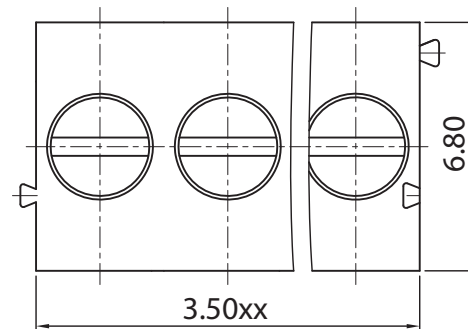


p.c.b. layout



Approvals



10A 125V
not approved

Electrical

Rated voltage 250V
 Rated current 10A
 Contact resistance 20mΩ
 Insulation resistance 500MΩ/DC500V
 Withstanding voltage AC1600V/ 1min
 Wire range 24-18 AWG - 1mm²
 Torque 0,2Nm(1.8 Lbin)
 Temp. Range -40°C + 105°C
 Stripping length 5 mm
 Max sold. time +250°C for 5 sec

Dimensions

Pitch 3,50 mm
 Poles 2÷24

Material

Housing PA66 UL94V0
 Pin Copper Alloy, tin plated
 Cage
 Screws M2 Steel, Zn plated
 Side Block
 Nut screw
 Clamp Phosphor bronze, Ni plated

General description of ordering code

Series	n. Poles	Pitch	Version	Color	Custom
BLT31	2÷24	-3.5	-V		

Version Date

2020/01 13/11/2020



euro-block



UNITS: mm

SHEET SIZE: ISO A4

SCALE: 10:1

> 0 ~ 3

> 3 ~ 18

> 18 ~ 50

> 50 ~ 120

± 0.12

± 0.15

± 0.3

± 0.5



First angle projection

BLT31-3.5-V