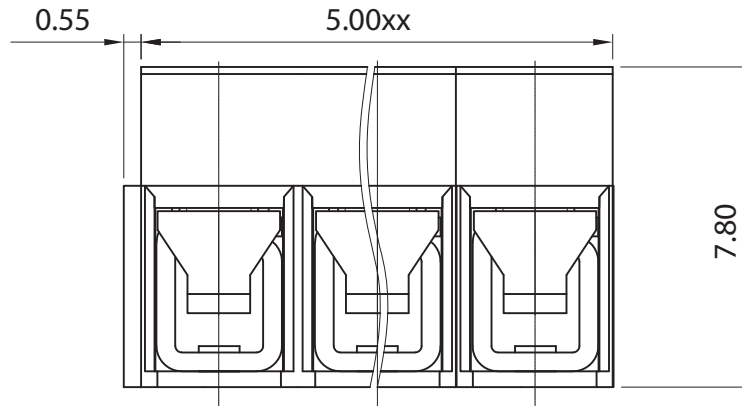
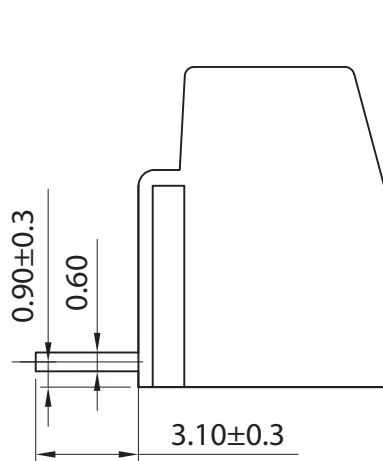
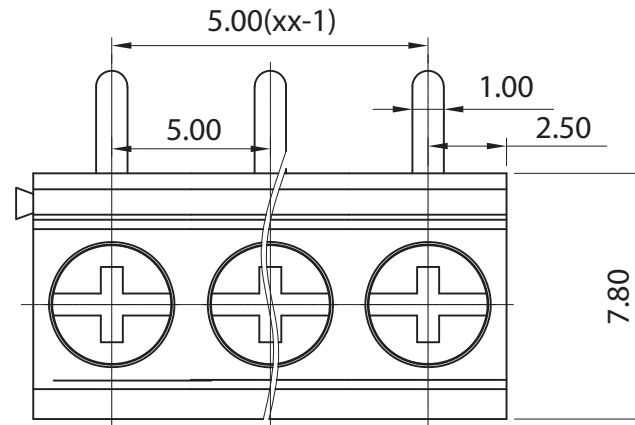


p.c.b. layout



**Approvals**



8A- 300V



not approved

**Electrical**

|                       |                   |
|-----------------------|-------------------|
| Rated voltage         | 250V              |
| Rated current         | 18A               |
| Contact resistance    | 20mΩ              |
| Insulation resistance | 500MΩ/DC500V      |
| Impulse voltage       | 1.6KV             |
| Wire range            | 1,5mm2 22÷16 AWG  |
| Torque                | 0,4Nm (3.6Lb In)  |
| Temp. Range           | -40°C + 105°C     |
| Stripping length      | 5 mm              |
| Max sold. time        | +250°C for 5 sec. |

**Dimensions**

|       |      |
|-------|------|
| Pitch | 5 mm |
| Poles | 2÷24 |

**Material**

|            |                         |
|------------|-------------------------|
| Housing    | PA66 UL94V0             |
| Pin        | Copper Alloy, Sn plated |
| Cage       | Copper Alloy, Ni plated |
| Screws     | M2.5;Steel Zn plated    |
| Side Block | ---                     |
| Nut screw  | ---                     |
| Clamp      | ---                     |

**General description of ordering code**

| Series | n. Poles | Pitch | Version | Color | Custom |
|--------|----------|-------|---------|-------|--------|
| BLR51  | 2÷24     | -5    | -H      |       |        |

**Version Date**

2020/01 06/04/2020



**euro-block**



UNITS: mm

SHEET SIZE: ISO A4

SCALE: 4:1

> 0 ~ 3

> 3 ~ 18

> 18 ~ 50

> 50 ~ 120

± 0.12

± 0.15

± 0.3

± 0.5



First angle projection

**BLR51-5-H**